



HYC-Series Y – Ball Check Valve

Used in sanitary processes to prevent backflow of fluids. When liquid flows through the valve, the ball is forced into the branch of the valve allowing fluid flow. When the liquid stops equalizing the pressure, the ball drops back into the seat, preventing backflow.

This valve can be used in combination with the B45-series air blow check valve to evacuate the upstream checked fluid from the processing line.



Features

- Improved flow performance and ball stabilization
- Patent-pending ball cap stabilizer
- Replaceable seat

- Product contact seals: EPDM, FKM
- Ball: PTFE (standard), EPDM, FKM, nitrile rubber

Materials

- Product contact metal components: 316L stainless steel
- Non-product contact metal components: AISI 304

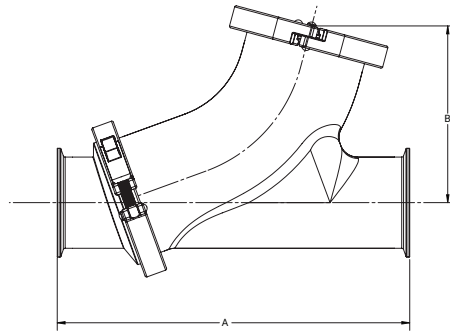
Specifications

- Operating temperature range: 15°F to 200°F (-9°C to 93°C)
- Maximum operating pressure: 150 PSI
- Internal product contact surface finish ≤ 32Ra

Size	316L Stainless Steel with EPDM Part #	316L Stainless Steel with FKM Part #
1-1/2"	HYCEP150CCAA	HYCVP150CCAA
2"	HYCEP200CCAA	HYCVP200CCAA
2-1/2"	HYCEP250CCAA	HYCVP250CCAA
3"	HYCEP300CCAA	HYCVP300CCAA

For other configurations, contact Dixon® Sanitary at 800.789.1718.

Dimensions



Valve Size	A (in)	B (in)	PTFE Ball ø (in)	Rubber Ball ø (in)
1-1/2"	7.50	3.30	1.6	1.6
2"	8.50	3.90	2.1	2.1
2-1/2"	10.00	4.50	2.7	2.6
3"	11.50	5.30	3.6	3.5

All dimensions are approximate. Engineering dimensions are available upon request. Specifications are subject to change without notice.

Repair and Seal Kits

- Repair kit contains:
- (1) EPDM cap gasket
 - (1) PTFE ball
 - (1) EPDM/CF8M seat

- Seal kit contains:
- (1) EPDM cap gasket
 - (1) EPDM/CF8M seat

- FKM seal kit contains:
- (1) FKM cap gasket
 - (1) FKM /CF8M seat

Size	EPDM/PTFE Repair Kit Part #	FKM/PTFE Repair Kit Part #	EPDM Seal Kit Part #	FKM Seal Kit Part #	Replacement Ball Only Part #
1-1/2"	HYC-RKE150	HYC-RKV150	HYC-SKE150	HYC-SKV150	HYC-TB150
2"	HYC-RKE200	HYC-RKV200	HYC-SKE200	HYC-SKV200	HYC-TB200
2-1/2"	HYC-RKE250	HYC-RKV250	HYC-SKE250	HYC-SKV250	HYC-TB250
3"	HYC-RKE300	HYC-RKV300	HYC-SKE300	HYC-SKV300	HYC-TB300